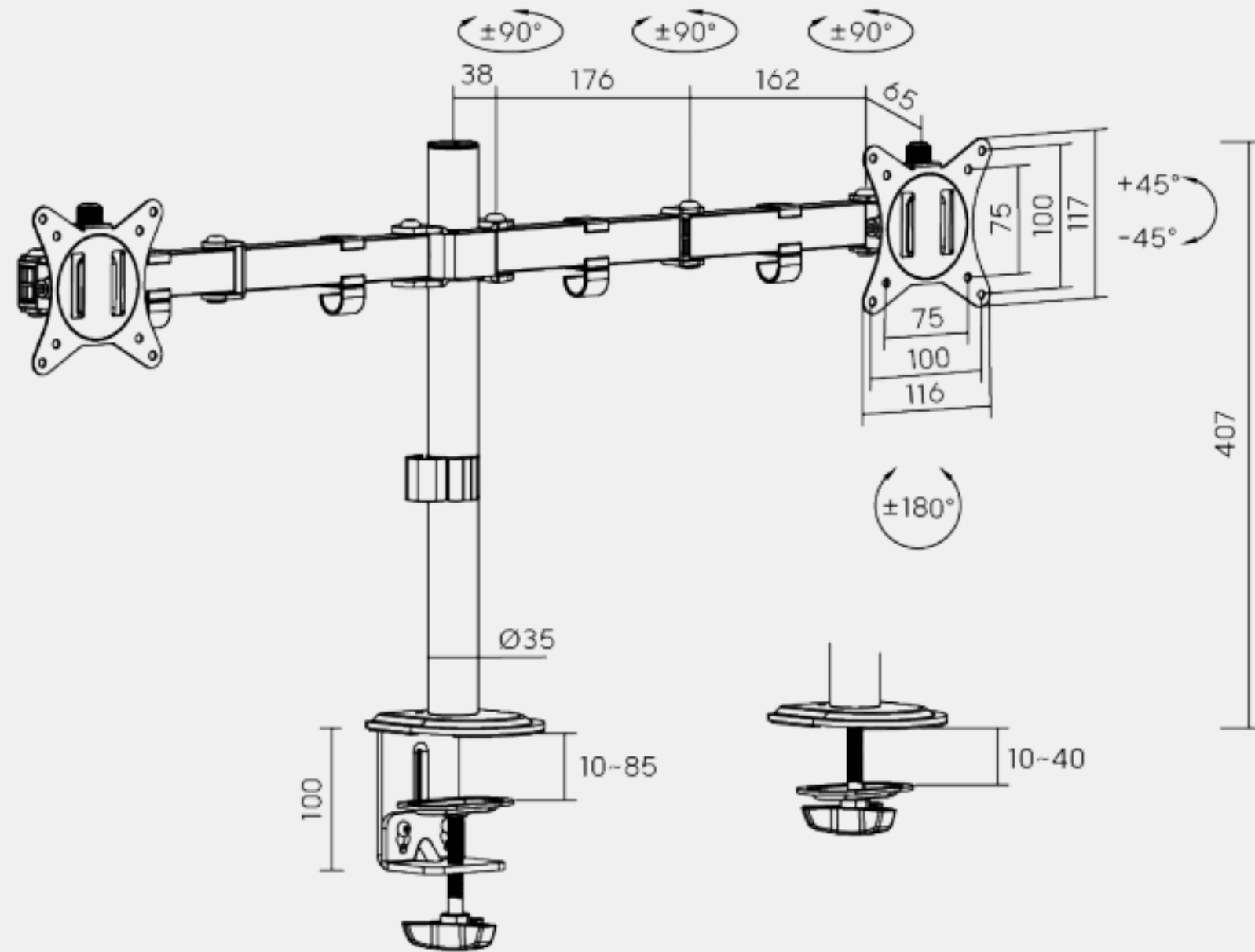


Dimensions (mm)



LDT66-C024

Share: [f](#) [X](#) [in](#) [@](#) [v](#)

DUAL-MONITOR STEEL ARTICULATING MONITOR MOUNT

For most 17"-32" monitors

DESCRIPTION

With a durable steel structure, the LDT66-C024 provides stable support for two 17" to 32" monitors up to 9kg(19.8lbs) per arm. Flexible design for ample adjustment and viewing angles, adjustable for either portrait or landscape orientation. Grommet and clamp mounting options included for installation on most any work surface. A detachable VESA plate for user-friendly installation. Cable clips included for an organized and clutter-free workplace.

COLOR:

